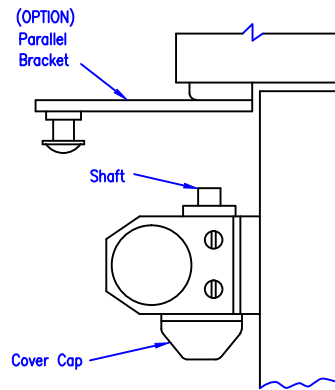
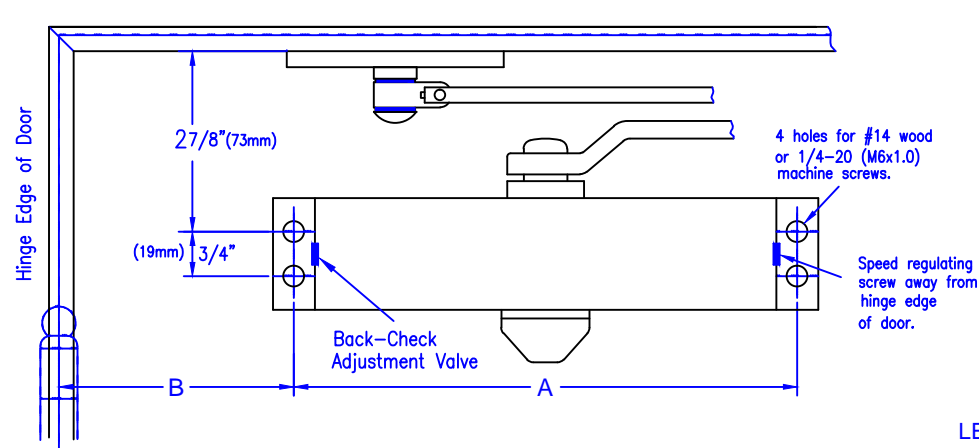


PARALLEL ARM INSTALLATION CLOSER MOUNTED ON DOOR ON PUSH SIDE

DOOR CLOSER

THIS TEMPLATE COVERS REGULAR PARALLEL ARM INSTALLATIONS TO 180° OPENINGS.

INSTALLATION INSTRUCTIONS

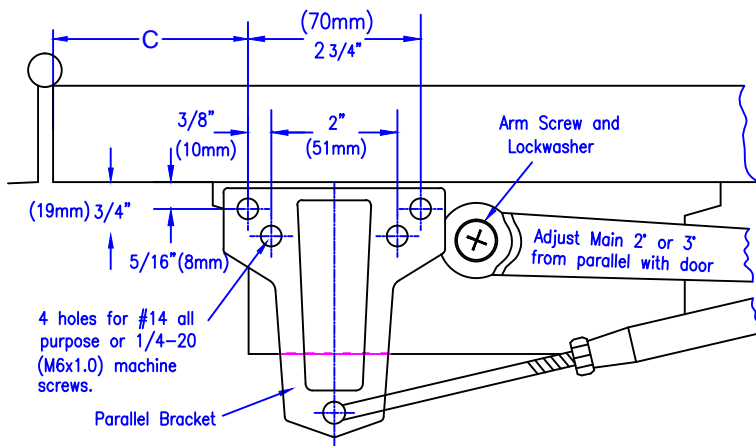


LEFT HAND DOOR ILLUSTRATED
Same dimensions apply for Right Hand
Door measured from the hinge edge.

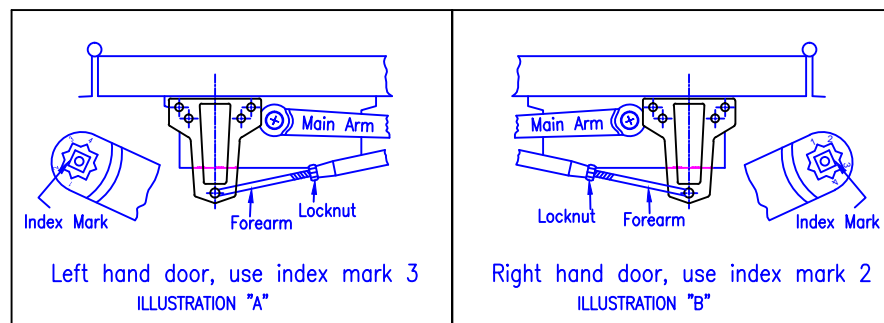
A	FOR OPENING TO 120°		FOR OPENING TO 120°-180°	
	B	C	B	C
8 3/16" 208mm	8 3/8" 213mm	9 1/16" 230mm	7" 178mm	7 11/16" 195mm

INSTALLATION INSTRUCTIONS

1. Select degree of opening and use dimensions shown in above template to mark four holes on door for closer and four holes on frame for parallel bracket.
2. Drill pilot holes in door and frame for #14 wood screws or drill and tap for 1/4-20 (M6x1.0) machine screws.
3. Mount closer on door WITH SPEED REGULATING SCREW AWAY FROM HINGE EDGE.
4. Attach parallel bracket to door stop as illustrated.
5. Using a wrench on square shaft on bottom of closer, rotate shaft approximately 45° toward hinge edge of door. Hold and place main arm on shaft on top of closer at proper index mark as illustrated. FOR LEFT HAND DOOR No.3 (illustration "A"). FOR RIGHT HAND DOOR No.2 (illustration "B"). Tighten arm screw with lockwasher securely.
6. Remove the arm shoe from the forearm (arm shoe is not used in this application) and place forearm on parallel bracket stud and tighten screw securely.
7. Adjust length of forearm so when it is attached to main arm, the main arm will be slightly away from parallel with closed door, and assemble at elbow then tighten locknut.
8. Place cover cap over shaft at bottom of closer and turn slightly to secure.

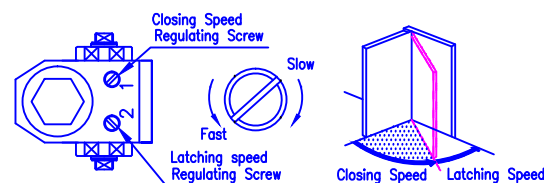


POSITION OF ARMS AND INDEX SETTINGS



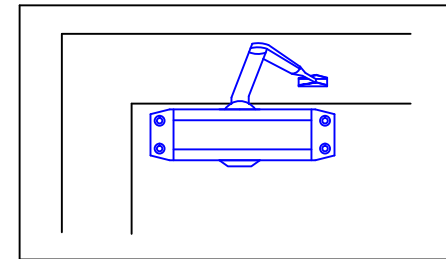
ADJUSTMENT INSTRUCTIONS

SPEED ADJUSTMENTS-



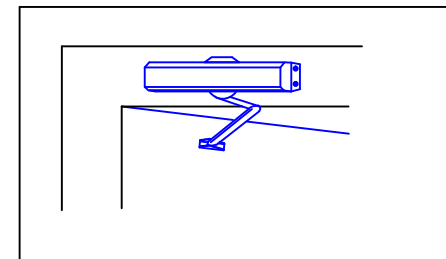
BACK-CHECK ADJUSTMENT -(with B.C.)- is controlled by the adjustment valve (marked BC on the closer). BACK-CHECK is now set for a soft action. To INCREASE Back-check action turn valve CLOCKWISE. To DECREASE or to TURN OFF Back check action turn valve COUNTER CLOCKWISE.

Standard Application



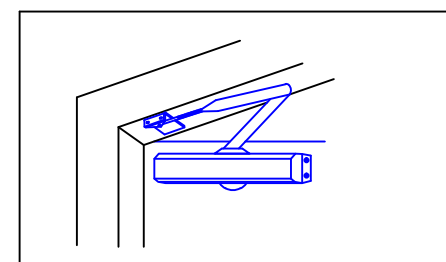
PAGE 2
STANDARD INSTALLATION
CLOSER MOUNTED ON DOOR
ON PULL SIDE

Top Jamb Application



PAGE 3
TOP JAMB INSTALLATION
CLOSER MOUNTED ON TOP JAMB
ON PUSH SIDE OF DOOR

Parallel Arm Application



PAGE 4
PARALLEL ARM INSTALLATION
CLOSER MOUNTED ON DOOR
ON PUSH SIDE

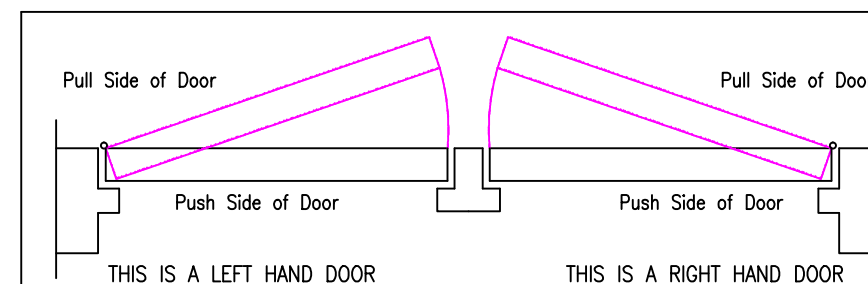
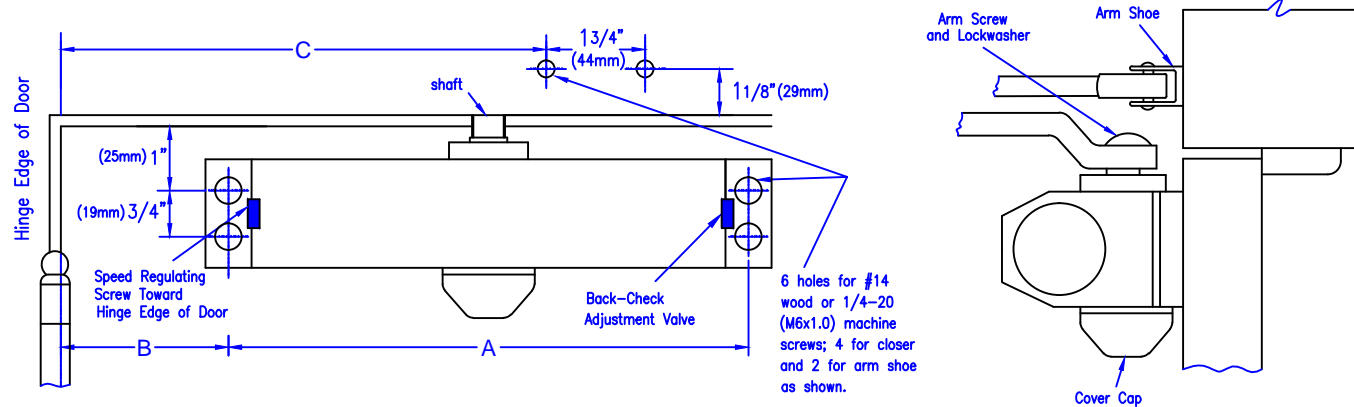


CHART
TO DETERMINE
HAND OF DOOR

STANDARD INSTALLATION CLOSER MOUNTED ON DOOR ON PULL SIDE

THIS TEMPLATE COVERS REGULAR ARM INSTALLATIONS TO 180° OPENINGS.



RIGHT HAND DOOR ILLUSTRATED
Same dimensions apply for Left Hand
Door measured from the hinge edge.

A	FOR OPENING TO 120°		FOR OPENING TO 120°-180°	
	B	C	B	C
8 3/16" 208mm	6" 152mm	12" 305mm	4 1/2" 114mm	10" 254mm

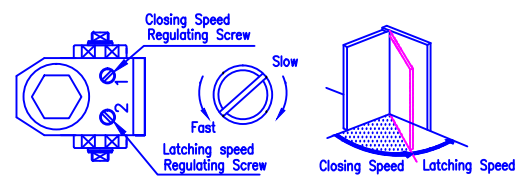
INSTALLATION INSTRUCTIONS

- Select degree of opening and use dimensions shown in above template to mark four holes on door for closer and two holes on frame for arm shoe.
- Drill pilot holes in door and frame for #14 wood screws or drill and tap for 1/4-20(M6x1.0) machine screws.
- Mount closer on door WITH SPEED REGULATING SCREW TOWARD HINGE EDGE.
- Place main arm on shaft on top of closer at proper index mark as illustrated. FOR RIGHT HAND DOOR No.4(illustration "A"). FOR LEFT HAND DOOR No.1 (illustration "B"). Tighten arm screw with lockwasher securely.
- Attach the arm shoe of the forearm to the frame.
- Adjust length of forearm so when it is attached to main arm it will be at a right angle (90°) to door when door is closed and assemble at elbow then tighten locknut.
- Place cover cap over shaft at bottom of closer and turn slightly to secure.

ADJUSTMENT INSTRUCTIONS

POWER - Closing power has been set at factory for average conditions. If more closing power is required, move forearm from center hole in arm shoe to hole closest main arm. If less closing power is required, move forearm to hole farthest from main arm.

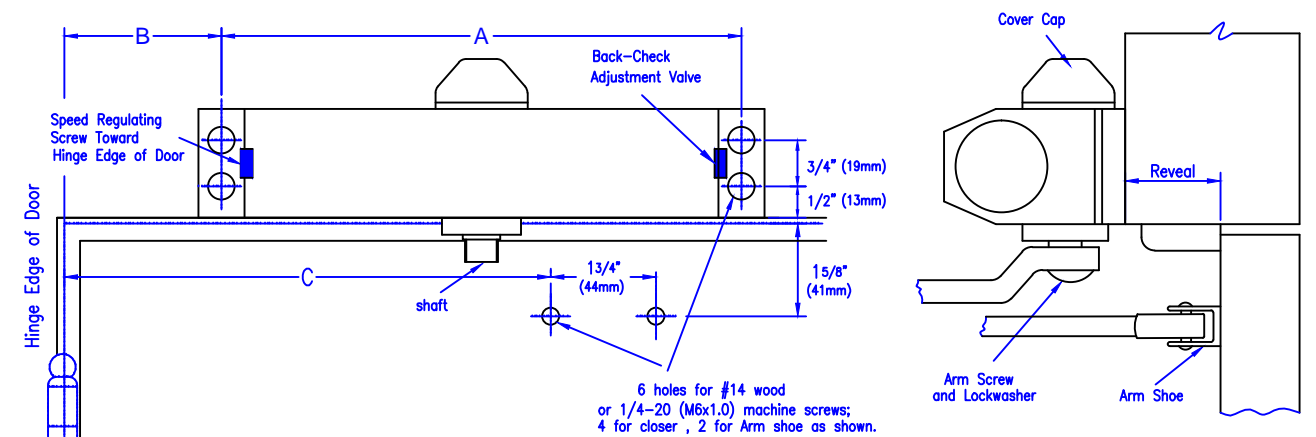
SPEED ADJUSTMENTS-



BACK - CHECK ADJUSTMENT - (with B.C.) - is controlled by the adjustment valve (marked BC on the closer). BACK-CHECK is now set for a soft action. To INCREASE Back-check action turn valve CLOCKWISE. To DECREASE, or to TURN OFF Back - check action turn valve COUNTER CLOCKWISE.

TOP JAMB INSTALLATION CLOSER MOUNTED ON TOP JAMB ON PUSH SIDE OF DOOR

THIS TEMPLATE COVERS REGULAR ARM INSTALLATIONS TO 180° OPENINGS.
Reveals of 23/4" to 6" (70mm-152mm) require Long Top Jamb Forearms.



A	FOR OPENING TO 120°		FOR OPENING TO 120°-180°	
	B	C	B	C
8 3/16" 208mm	6" 152mm	12" 305mm	3 7/8" 98mm	8 3/4" 222mm

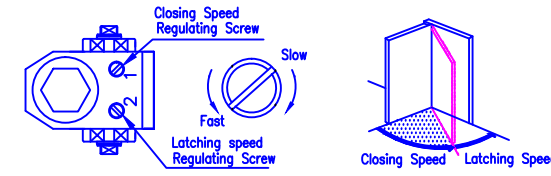
INSTALLATION INSTRUCTIONS

- Select degree of opening and use dimensions shown in above template to mark four holes on frame for closer and two holes on door for arm shoe.
- Drill pilot holes in door and frame for #14 wood screws or drill and tap for 1/4-20(M6x1.0) machine screws.
- Mount closer on frame WITH SPEED REGULATING SCREW TOWARD HINGE EDGE.
- Place main arm on shaft on bottom of closer at proper index mark as illustrated. FOR LEFT HAND DOOR No.1 (illustration "A"). FOR RIGHT HAND DOOR No.4 (illustration "B"). Tighten arm screw with lockwasher securely.
- Attach the arm shoe of the forearm to the door.
- Adjust length of forearm so when it is attached to main arm it will be at a right angle (90°) to door when door is closed and assemble at elbow then tighten locknut.
- Place cover cap over shaft at top of closer and turn slightly to secure.

ADJUSTMENT INSTRUCTIONS

POWER - Closing power has been set at factory for average conditions. If more closing power is required, move forearm from center hole in arm shoe to hole closest main arm. If less closing power is required, move forearm to hole farthest from main arm.

SPEED ADJUSTMENTS-



BACK - CHECK ADJUSTMENT - (with B.C.) - is controlled by the adjustment valve (marked BC on the closer). BACK-CHECK is now set for a soft action. To INCREASE Back-check action turn valve CLOCKWISE. To DECREASE, or to TURN OFF Back - check action turn valve COUNTER CLOCKWISE.

LEFT HAND DOOR ILLUSTRATED
Same dimensions apply for Right Hand
Door measured from the hinge edge.

