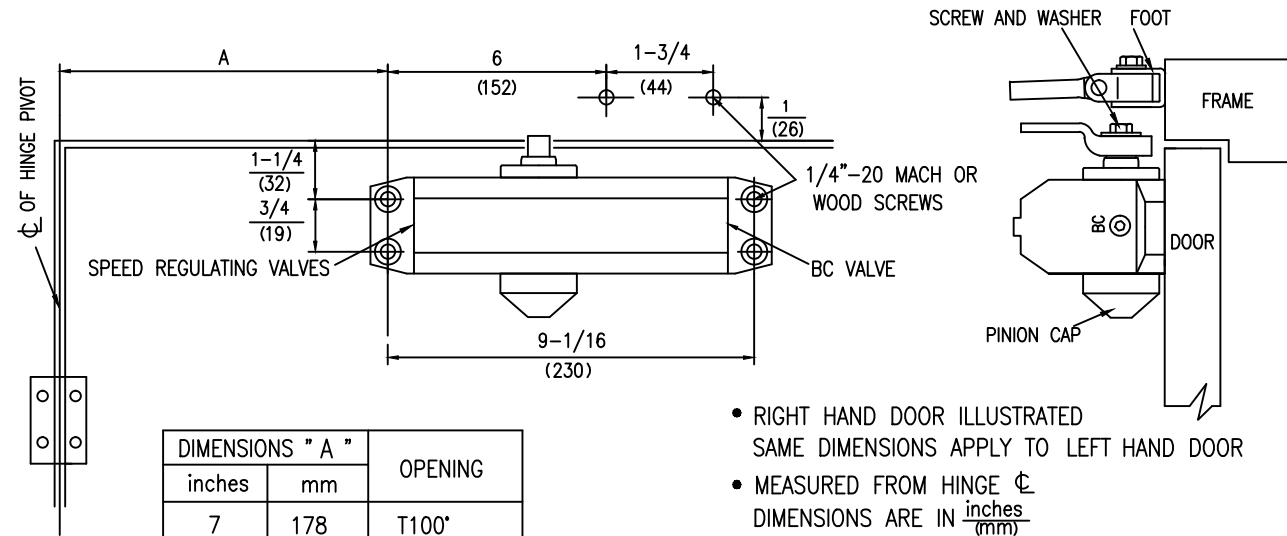


REGULAR ARM INSTALLATION

TOP JAMB INSTALLATION



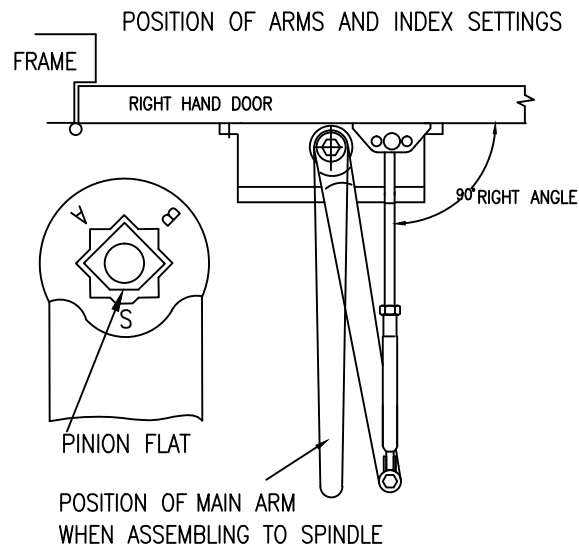
DIMENSIONS "A"		OPENING
inches	mm	
7	178	T100°
6	152	101°T0120°
3-1/2	89	* 121°T0180°

* Door/Wall/Hardware/Jamb conditions permitting

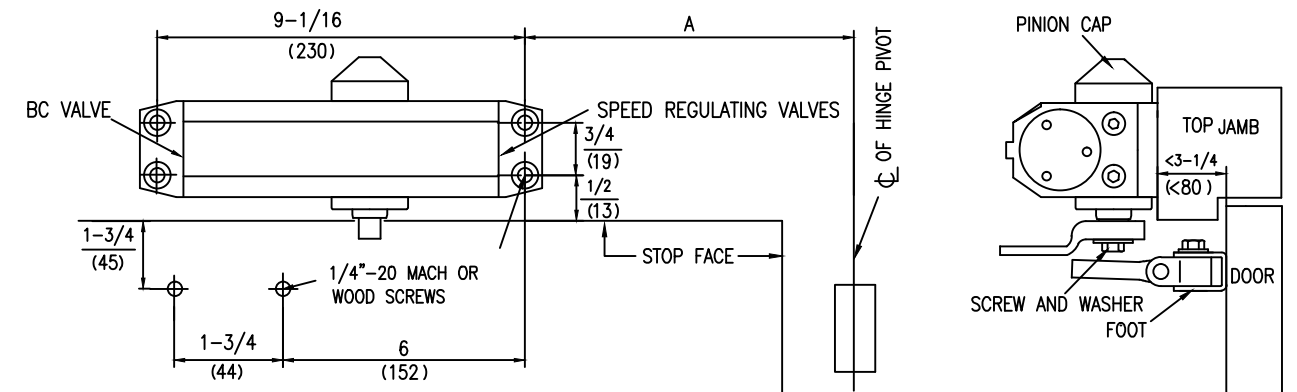
- RIGHT HAND DOOR ILLUSTRATED
SAME DIMENSIONS APPLY TO LEFT HAND DOOR
- MEASURED FROM HINGE C
DIMENSIONS ARE IN $\frac{\text{inches}}{\text{mm}}$
- DO NOT SCALE DRAWING

INSTALLATION INSTRUCTIONS

1. SELECT DEGREE OF DOOR. USE DIMENSIONS SHOWN IN CHART AND ILLUSTRATION ABOVE TO MARK LOCATION OF ATTACHING SCREWS ON DOOR AND FRAME PREPARE HOLES
2. ASSEMBLE MAIN ARM TO CLOSER.
3. ATTACH CLOSER TO DOOR WITH SPEED REGULATING VALVES TOWARD HINGE.
4. ATTACH THE FOOT OF THE FOREARM TO FRAME.
5. ADJUST LENGTH OF FOREARM TO POSITION FOREARM AT RIGHT ANGLE TO FRAME WHEN CONNECTED TO MAIN ARM AT ELBOW USE WASHER AND SCREW PROVIDED TO SECURE PIVOT CONNECTION. TIGHTEN LOCKNUT ON FOREARM.
6. SNAP PINION CAP OVER SPINDLE AT BOTTOM OF CLOSER
7. ADJUST CLOSER.



MAXIMUM DOOR WIDTH		FULL TURNS REQUIRED
EXTERIOR DOORS	INTERIOR DOORS	
—	5 lb-f*	8 TURNS C.C.W.
8.5 lb-f*	34" (864)	4 TURNS C.C.W.
30" (762)	38" (962)	0 TURNS
36" (914)	48" (1219)	5 TURNS C.W.
42" (1067)	54" (1372)	10 TURNS C.W.
48" (1219)	60" (1524)	15 TURNS C.W.



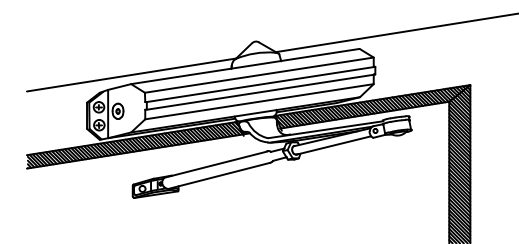
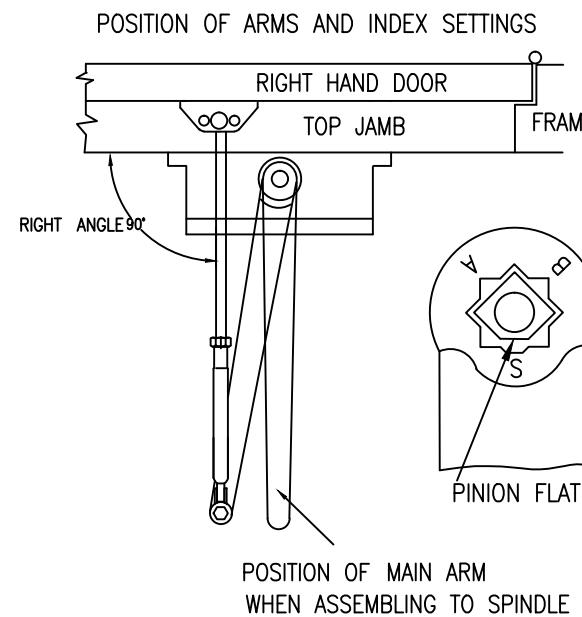
DIMENSIONS "A"		OPENING
inches	mm	
7-1/2	191	T100°
6	152	101°T0120°
3-1/2	89	* 121°T0180°

* Door/Wall/Hardware/Jamb conditions permitting

- RIGHT HAND DOOR ILLUSTRATED
SAME DIMENSIONS APPLY TO LEFT HAND DOOR
- MEASURED FROM HINGE C
DIMENSIONS ARE IN $\frac{\text{inches}}{\text{mm}}$
- DO NOT SCALE DRAWING

INSTALLATION INSTRUCTIONS

1. SELECT DEGREE OF DOOR. USE DIMENSIONS SHOWN IN CHART AND ILLUSTRATION ABOVE TO MARK LOCATION OF ATTACHING SCREWS ON DOOR AND FRAME PREPARE HOLES
2. ASSEMBLE MAIN ARM TO CLOSER.
3. ATTACH CLOSER TO FRAME WITH SPEED REGULATING VALVES TOWARD HINGE.
4. ATTACH THE FOOT OF THE FOREARM TO DOOR.
5. ADJUST LENGTH OF FOREARM TO POSITION FOREARM AT RIGHT ANGLE TO FRAME WHEN CONNECTED TO MAIN ARM AT ELBOW USE WASHER AND SCREW PROVIDED TO SECURE PIVOT CONNECTION. TIGHTEN LOCKNUT ON FOREARM.
6. SNAP PINION CAP OVER SPINDLE AT BOTTOM OF CLOSER
7. ADJUST CLOSER.



About Power Adjustment

Before installation, Adjust the spring power as chart in page 2. Adjust spring power DO NOT exceed the maximum turn .

The spring power has been reset on 0 turns in factory.

PARALLEL ARM INSTALLATION

DOOR CLOSER

INSTALLATION INSTRUCTIONS

OF HINGE PIVOT

9-1/16 (230)

3 (76)

3/4 (19)

STOP FACE

PA PLATE

PA SHOE WASHER

FRAME

DOOR

BC VALVE

2-3/4 (70)

3/8 (9.5)

2 (51)

RIGHT HAND DOOR

7/16 (11)

5/16 (8)

FRAME

1-1/2 (38)

PA PLATE

- RIGHT HAND DOOR ILLUSTRATED
- SAME DIMENSIONS APPLY TO LEFT HAND DOOR
- MEASURED FROM HINGE ϕ
- DIMENSIONS ARE IN $\frac{\text{inches}}{\text{mm}}$
- DO NOT SCALE DRAWING

DIMENSIONS "A"		DIMENSIONS "B"		OPENING
inches	mm	inches	mm	
9-1/4	235	7-5/8	194	TO 100"
7-3/4	197	6-1/8	156	101" TO 150"
5-3/4	146	4-1/8	105	OVER 151"

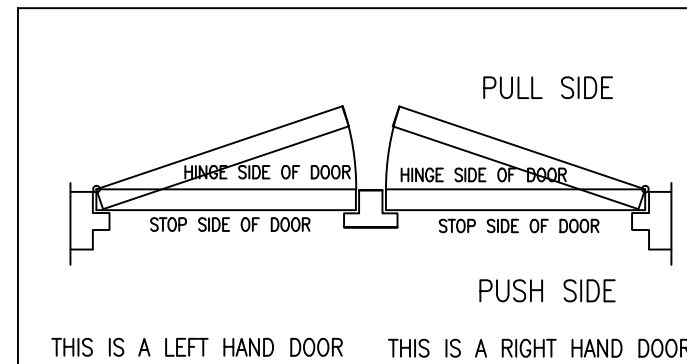
PINION FLAT FOR LEFT HAND DOOR

PINION FLAT FOR RIGHT HAND DOOR

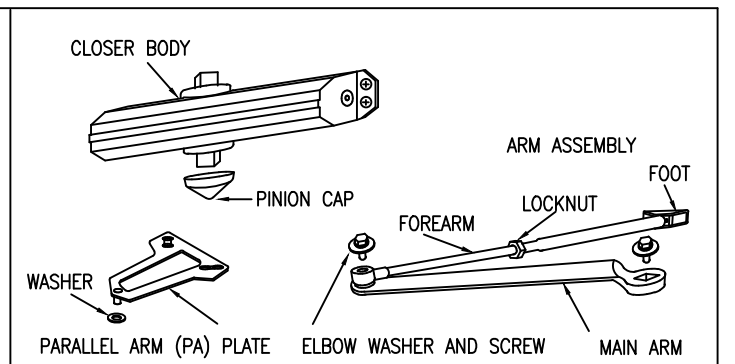
Hinge Edge of Door

- SELECT DEGREE OF DOOR. USE DIMENSIONS SHOWN IN CHART AND ILLUSTRATION ABOVE TO MARK LOCATION OF ATTACHING SCREWS ON DOOR AND FRAME PREPARE HOLES
- ATTACH CLOSER TO DOOR WITH SPEED REGULATING VALVES BACK TO HINGE.
- ATTACH PA PLATE TO TOP FRAME AS SHOWN.
- REMOVE FOOT FROM FOREARM AND DISCARD.
- INSTALL ARM ON PINION SHAFT. ROTATE PINION 45° TOWARD HINGE EDGE OF DOOR TO ALIGN MAIN ARM LETTER "B" (RIGHT HAND DOOR) OR "A" (LEFT HAND DOOR) WITH PINION FLAT. FASTEN WITH ARM SCREW.
- FASTEN FOREARM TO PA PLATE USING SCREW REMOVED FROM FOOT IN STEP 4 AND PA SHOE WASHER INCLUDED IN SCREW PACK.
- ADJUST FOREARM LENGTH TO SET ARM ELBOW ABOUT 1-1/2" (38mm) FROM DOOR WHEN CONNECTED TO MAIN ARM. USE WASHER AND SCREW PROVIDED TO SECURE PIVOT CONNECTION. TIGHTEN LOCKNUT
- SNAP PINION CAP OVER SPINDLE AT BOTTOM.
- ADJUST CLOSER.

CHART TO DETERMINE HAND OF DOOR



COMPONENTS

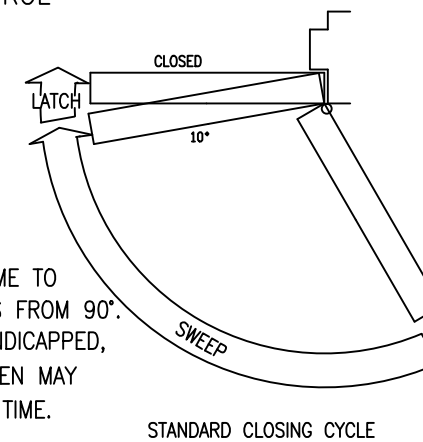


CONTROL FUNCTION

CLOSING SPEED CONTROL

CAUTION
DO NOT BACK VALVES OUT OF CLOSER OR A LEAK WILL RESULT

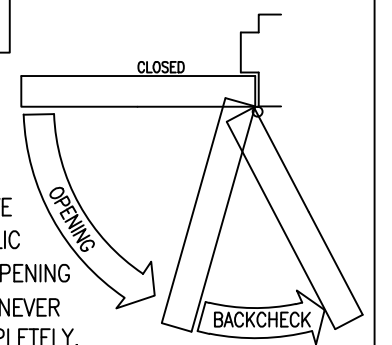
ATTENTION:
ADJUST CLOSING SPEED TIME TO BETWEEN 4 TO 6 SECONDS FROM 90°. USE OF THE DOOR BY HANDICAPPED, ELDERLY OR SMALL CHILDREN MAY REQUIRE LONGER CLOSING TIME.



OPENING DOOR CONTROL

CAUTION
DO NOT BACK VALVES OUT OF CLOSER OR A LEAK WILL RESULT

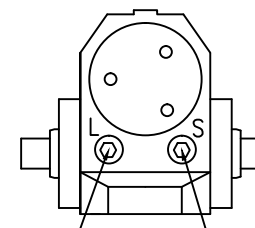
ATTENTION:
BACKCHECK ("BC") VALVE CONTROLS THE HYDRAULIC RESISTANCE TO DOOR OPENING IN BACKCHECK RANGE. NEVER CLOSE THIS VALVE COMPLETELY. IT IS NOT TO PROVIDE A POSITIVE STOP.



FINAL ADJUSTMENT AND REGULATING PROCEDURES

REGULATING DOOR SPEED AND LATCHING SPEED

TURN SPEED REGULATING VALVE CLOCKWISE TO SLOW DOWN OR COUNTER CLOCKWISE TO SPEED UP DOOR MOVEMENT

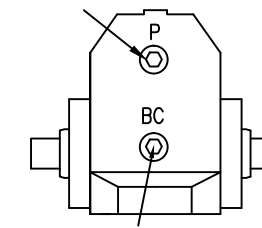


THIS VALVE CONTROLS LATCHING SPEED

THIS VALVE CONTROLS DOOR SWEEP SPEED

REGULATING SPRING POWER REGULATING BC POWER

POWER ADJUSTMENT SCREW. TURN THIS SCREW CLOCKWISE TO INCREASE OR COUNTER CLOCKWISE TO DECREASE.



TURN BC REGULATING VALVE CLOCKWISE TO INCREASE OR COUNTER CLOCKWISE TO DECREASE. NEVER CLOSE THIS VALVE COMPLETELY.

ADJUSTING FOOT FOR CLOSING POWER

MOVE FOOT PIVOT TO HOLE AS ILLUSTRATED BELOW

